



# **Eco-FES Fire Solution**

 **3G Tech Global Co., Ltd.**



## ■ Company Introduction

With the vision of a better living environment for now and our next generation, 3G Tech Global established in Taiwan on 2013.

We manufacturing **Fire Extinguishing Solutions**, **Fire Retardant** and the **Adgreencoat Heat Insulation Coating**.

Our experts focus on **Good ideas**, **Great innovations** and **Genius designs**, all 3 major products are all environmental friendly and effective.

## ■ Vision

There is only one Earth and we all live on it, Please help us to promote our products to make a better living environment.



# Index

- Eco-FES:
  - What is Eco-FES ?
  - Class of Fire
  - Characteristic of Eco-FES
  - How Eco-FES extinguish Fire
  - Application of Eco-FES products
  - Eco-FES scope of application
  - RB-500 Mini Fire Extinguisher
  - Building Automatic Fire Sprinkler Systems



# What is Eco-FES ?

- **Eco-FES ( Eco-Fire Extinguishing Solution )** is an environment friendly Fire Extinguishing Solution which can put off fire of Class A, B, and K.
- For class C fire a special mist spray nozzle will be needed.
- For Class D fire we have alternate solutions which is special made for it.



# Class of fire

- **Class A Fires** - consist of ordinary combustibles such as wood, paper, trash or anything else that leaves an ash.
- **Class B Fires** - are fueled by flammable or combustible liquids, which include oil, gasoline, and other similar materials.
- **Class C Fires** - energized Electrical Fires. Always de-energize the circuit.
- **Class D Fires** - are combustible metal fires. Magnesium and Titanium are the most common types of metal fires.
- **Class K Fires** - cooking oils grease or animal fat.



# Characteristic of Eco-FES

- \* Non toxic
- \* PH neutral
- \* Non-corrosive as water
- \* Less toxic smoke
- \* Totally biodegradable
- \* Less messes, no residue or contamination after use
- \* Prevents re-ignition
- \* Safe & easy to store
- \* Examined by SGS
- \* Rapid cool down
- \* Less water needed



# How Eco-FES extinguish fire

- Fire require 4 elements:
  1. Fuel
  2. Oxygen
  3. Heat
  4. Reaction
- Eco-FES can interrupting the chemical reaction between Oxygen, Heat and Fuel by remove the heat instantly, Resulting in effective extinguishment.



# Application of Eco-FES products

- **Mini Fire Extinguisher RB-500**
- **All portable fire extinguisher units eg, Regular handheld Fire extinguisher.**
- **Fire Truck**
- **Building Automatic Fire Sprinkler Systems**
- **Basically Eco-FES is compatible for most of current fire extinguish equipment, there is no need to purchases new equipment for it.**





# Eco-FES scope of application

- **Household: living room, kitchen, bedroom**
- **Office, conference rooms**
- **Classrooms**
- **Hospitals**
- **Factories**
- **Restaurants**
- **Vehicle**



# RB-500 Mini Fire Extinguisher



- **Characteristic**

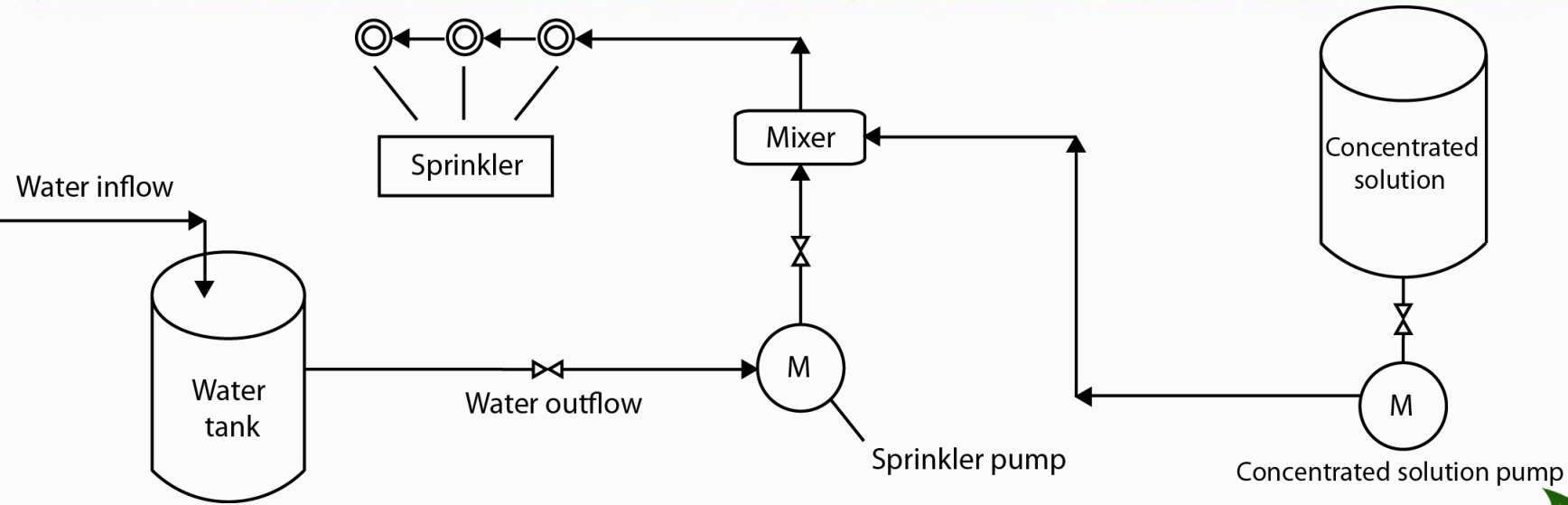
- \* Environmental friendly and Non-toxic
- \* Easy to use - no need to shake before use
- \* Rapid cool down and prevent re-ignition
- \* Easy and safe to store from -5 to 50 degrees Celsius
- \* Biodegradable, no residue or contamination after use - No need to clean up
- \* All directional spray with effective range of 3 meters

- **Scope of application**

- \* Household: living room, kitchen, bedroom
- \* Office, conference rooms      \* Classrooms      \* Hospitals
- \* Factories                              \* Restaurants      \* Vehicle



# Building Automatic Fire Sprinkler Systems





**Questions ?  
Tell me more ?**



TEL: +886-4-25602568    FAX: +886-4-25603038

No.708, Sec. 3, Zhongqing Rd., Daya Dist., Taichung City, 428 Taiwan

Email: [sales@3gt.com.tw](mailto:sales@3gt.com.tw)